



COMMERCIAL
LIGHTING SERVICES

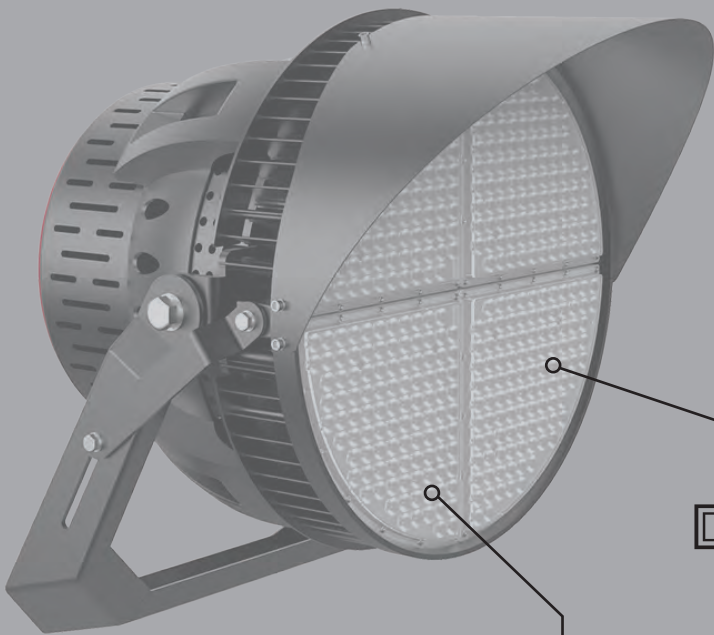
PRO Sports Lighting



1250W

TECHNOLOGY CHANGES PERFORMANCE

INNOVATION ILLUMINATES THE FUTURE



THERMAL MANAGMENT

Seamless link of aerometal materials and numerous vents on heat sink improved heat management, keeps away from all field heat, ensures the stability of light system



CONTROL SYSTEM

Optimized for live broadcast system by wireless data transmission makes easily on color tuning and dim options. Real time monitoring are available on the working status and performance of every fixtures, recognize potential problems.



EASY OF INSTALLATION

Adjustable beam angle, up to 240°



OPTICS

Products are designed with seamless combination of advanced free forms optics and structure. Unique micro multi facet optic design makes the light uniformity even and reduced glare. Advanced material maximizes light transmittance.



SOLID STATE DESIGN

Unique "SSD" design, simply & Advance. No components are non-removable, ensures durability of led chip. All parts are individual, rugged and strong



SMALL ELECTRON GREAT POWER

Adoption advanced technology, photoelectric conversion in most efficient method, energy saving, and producing more lights out



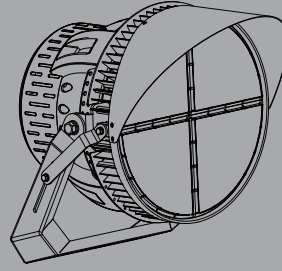
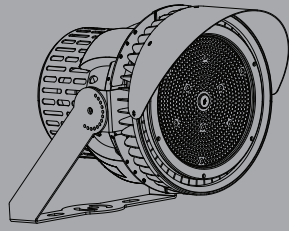
NO ELECTRICAL INTERFERENCE

State-of-the art circuit system woking perfect with other systems, Ultra-low EMI noise generation eliminating electrical interference



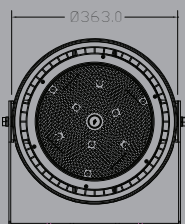
TECHNICAL PARAMETERS:

LED Sports Lighting

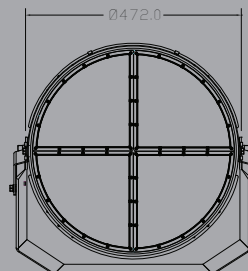
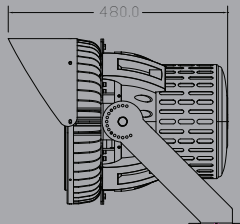


Model	CLS-400W	CLS-500W	CLS-750W	CLS-1000W	CLS-1250W
System Watts	400W	500W	750W	1000W	1250W
Lumen output	52000Lm	65000Lm	97500Lm	130000Lm	156250Lm
Dimensions	Ø363*480mm		Ø472*582mm		
Light source	Philips		OSRAM		
CRI	80		70		
Light Distribution Options	30° / 45° / 80°		15° / 20°/25° / 40°		
EPA	1.60ft ²		2.29ft ²		
CCT	3000K / 4000K / 5000K (Standard) / 5700K / 6500K				
Driver	Meanwell				
Input Voltage	100-277V or 240-480V				
Power Factor	0.95				
THD	<15%				
Surge Protectin	10KV Current Surge(Optional)				
Operating Temp Range	-30°C~-+50°C				
IP Rating	IP66				
Dimming control (Optional)	1-10V/DALI				
Certification	ETL /UL /DLC/FCC				

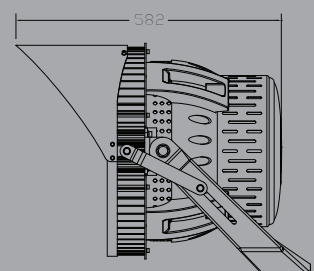
Dimension:



400W/500W



750W/1000W/1250W



APPLICATION:

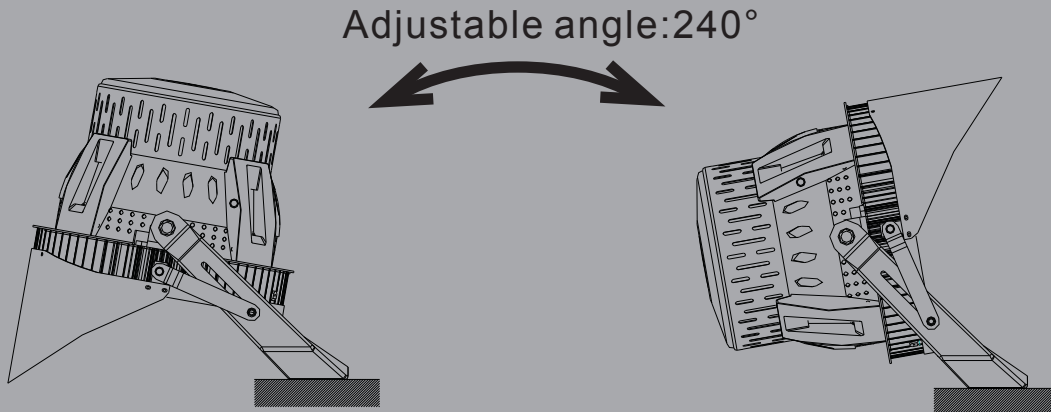
Designed for applications such as:

Arena
Gymnasium
Square plaza
Airport

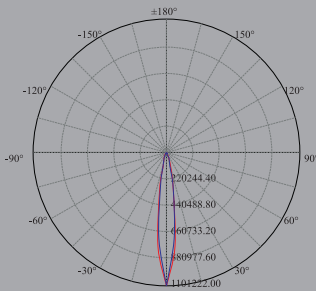
High mast
Port
Spot light
Contour lighting



INSTALLATION:



PHOTOMETRIC DIAGRAMS:



NEMA 3		
Height	Mac FC	Beam Diameter
40 ft	432	20 ft
80 ft	107	41 ft
120 ft	47	61 ft
160 ft	27	82 ft
200 ft	17	102 ft
Beam Angle = 14.9 ° , Field Angle = 32 °		

NEMA 4		
Height	Mac FC	Beam Diameter
40 ft	295	20 ft
80 ft	73	41 ft
120 ft	32	61 ft
160 ft	18	82 ft
200 ft	12	102 ft
Beam Angle = 27.2° , Field Angle = 51.7°		