

CLS LED HIGH BAY 150/240 Watt

ROUND PAN LED HIGH BAY LIGHT



PRODUCT DESCRIPTION:

The Round Pan LED High Bay blends high performance with a premium aesthetic that is well suited to many industrial and commercial applications, including retail and big box stores, auto showrooms, gymnasiums, warehouses and manufacturing facilities. Engineered for maximum durability and reliability in challenging environments, the LED High Bay Pan saves 60 percent energy vs. HID and fluorescent fixtures, and delivers more than 50,000 hours of lumen maintenance for a wide range of commercial and industrial lighting applications

FEATURES:

- 5 year limited warranty
- Power Factor > 0.9
- 0-10V Dimming
- Beam angle 115°, UP to 140LM/W
- Indoor / Damp rated

CONSTRUCTION:

- Durable aluminum die cast heat sinks for exceptional thermal performance even in high ambient temperatures
- Hook mount, ring mount and U bracket mount.
- Optional diffusers for 60°/90°/115° beam angle
- High quality Meanwell driver.

Specification:



Dimmable



5000...

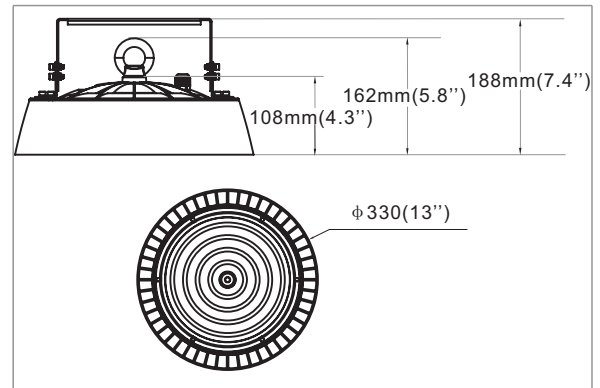
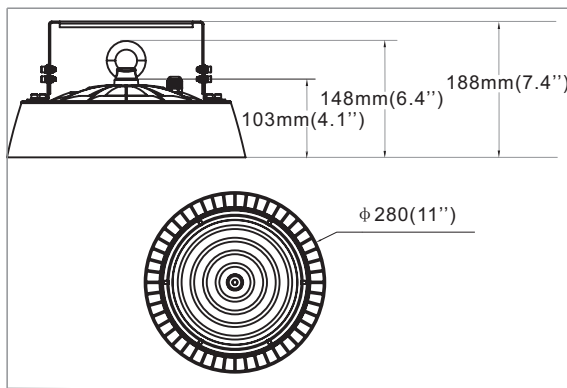


50,000 H



115° BEAM ANGLE

Item Number	Wattage (W)	Size (mm)	CCT (Kelvin)	Luminous flux (lm)	CRI (Ra)	Beam angle (Degree)	Pack Qty (Pcs)	Dimming
120-277V								
CLSPAG150DLA-150W (50P)	150	280*148	5000K	20250	>80	> 115°	1	0-10V
CLSPAG240DLA-240W (50P)	240	330*162	5000K	32400	>80	> 115°	1	0-10V



Package:

Power	Carton Dimension	N.W.	G.W.
		(With ring); 1PC/CTN	
150W	12.8*12.8*6.3 inch	8.93 lbs	10.25 lbs
240W	14.8*14.8*6.3 inch	12.41 lbs	14 lbs

Power	Carton Dimension	N.W.	G.W.
		(With ring&U-bracket); 1PC/CTN	
150W	12.8*12.8*7.3 inch	9.72 lbs	11 lbs
240W	14.8*14.8*7.3 inch	13.29 lbs	14.93 lbs