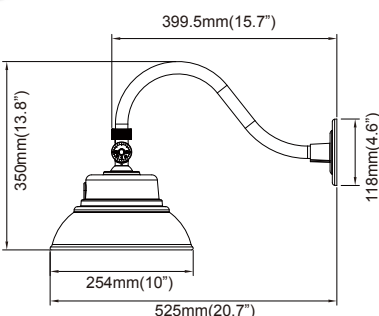


KLBR25BNXX-GN



Advantages:

- > Unique design
- > Rebate is available
- > 50000h long life time
- > 5 year warranty
- > Swivel knuckle to make adjustable angle to 210 degrees
- > Provides light output in 360 degrees disbursement

Driver Info

Type:	Constant Current
120V:	Yes
277V:	Yes
480V:	N/A
Input Watts:	25W
Efficiency:	88%

LED Info

Watts:	25W
Color Temp:	3000K, 4000K, 5000K
Color Accuracy:	80CRI
L70 Lifespan:	50000
Lumens:	2000
Efficacy:	80L/PW

Application

Suitable for wet location and operation in ambient not exceeding 40 °C(104 °F) Products are not intended for use in environments containing airborne corrosive agents such as chemical.

Color: White

Weight: 1.3Kg (2.9lbs)

Technical Specifications

FEATURES

- Description: 42W LED Barn Light
- Universal 100-277V
- Mercury Free: no UV
- Heavy-duty cast aluminum housing; rust and corrosion proof;polyester powder coating
- Standard pole mount compatible
- Dusk to Dawn with photo control
- 4KV surge protector inside of power supply
- IES/LM79/LM80 data available
- 5 Year Limited Warranty
- Mounting: wall mounting
- Application: yard, dock, backyard, barns, farms, alleyways, roadway, parking lots, sidewalk, porch, building wall, etc.

SPECIFICATION

General Performance

Power Factor: ≥ 0.9 , THD: $\leq 20\%$, Driver Type: **Constant Current / Class 1**, Surge Protector: **4KV inside of Driver**, Luminaire Life: **50000hrs**;

Physical

Dimension: **13.8"x14"x22"(350x360x562mm)**, Weight: **3.3lbs(1.5Kg)**;

Operation Condition

Operating Temperature: **-40 °F ~ +104 °F (-40 °C -40 °C)**, Humidity: $\leq 90\%$;

CONSTRUCTION

- Heavy-duty cast aluminum housing; rust and corrosion proof;polyester powder coating
- Diffuser: High light transmittance & Polycarbonate with UV
- Photo control: Electrical type with 100-285V
- LEDs: Top grade LED, high-output,long-life;
- Heat Sink:Aluminium sink attached to the housing directly to reduce LED heats and add to life
- LED Driver: IP65/ Constant current
- Finish: White finish. Environmentally friendly polyester powder coatings.
- Mounting: Standard hole for the 1-1/2"(40mm) pole mount

CERTIFICATION



IP65 waterproof rating, Material: Rohs compliant.

OTHER

Warranty time: 5 years

To prevent injury or damage to property, this product must be installed in accordance to National Electrical Code (NFPA70) in the US or Canadian Electrical Code (CSA 22.1) in Canada.

Risk of fire or electric shock. The electrical rating of these products are 100-277 Vac, the installer must determine whether they have 100-277 V at the luminaire before installation.

Risk of fire or electric shock. Installation requires knowledge of luminaires electrical systems. If not qualified, do not attempt installation. Contact a qualified electrician.

To prevent wiring damage or abrasion, do not expose wiring to edges of sheet metal or other sharp objects.

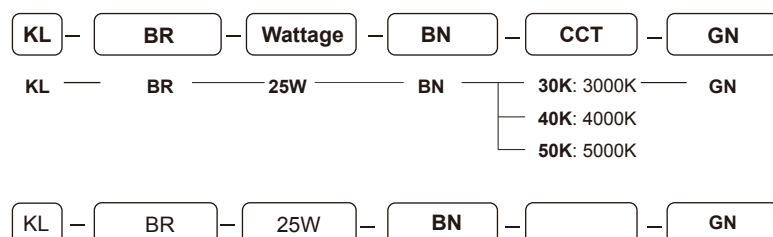
Disconnect power before installing the product or servicing it.

Wait until fixture has cooled down before installing or servicing the fixture.

Min. 90°C Supply Conductors

Warranty Period assumes that the Products are operated for less than 8 hours per day.

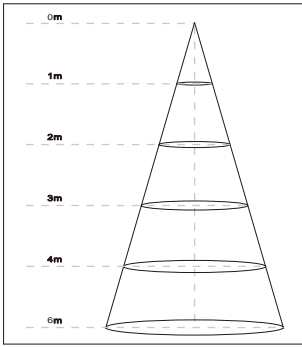
Order Information



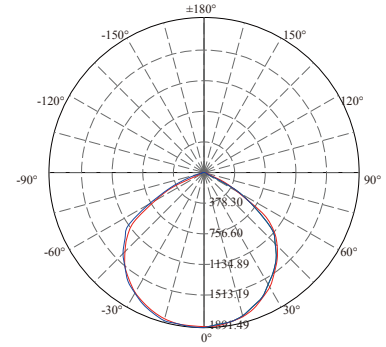
KLBR25BNXX-GN



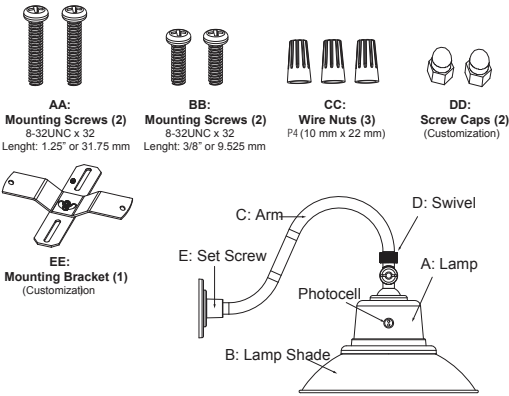
Lux Chart/Photometrics



Height	Average Lux (lx)	Light range (dia.)
1M	1892	289cm
2M	473	578cm
3M	210	867cm
4M	118	1156cm
6M	53	1734cm



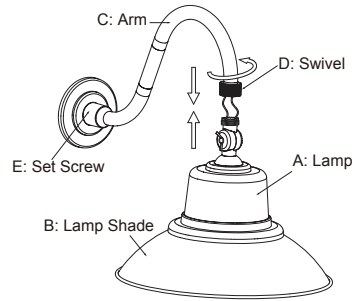
Accessories



Installation

PRE-ASSEMBLE FIXTURE

Connect Arm (C) and Lamp (A) through Swivel (D) and rotate Swivel to fasten two parts. Be careful not to misplace any of the hardware needed for installing the fixture.



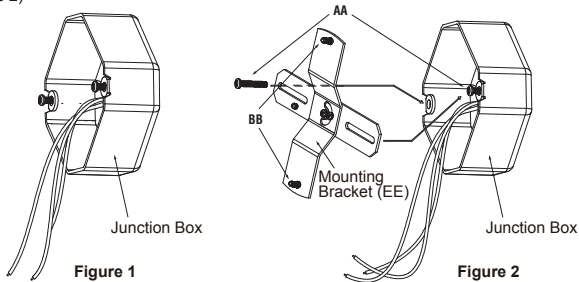
Installation

PULL THE WIRE OUT FROM JUNCTION BOX

Pull the supply wire (Line, Neutral and Ground) out from the JUNCTION BOX through the large center hole in the MOUNTING BRACKET (EE). (Figure 1)

ATTACH MOUNTING BRACKET

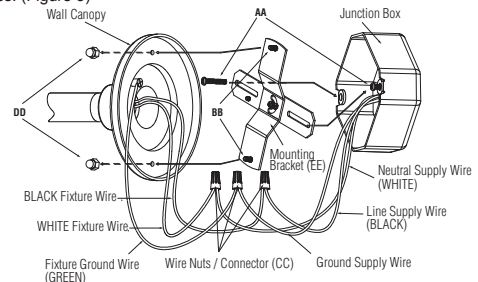
Attach MOUNTING BRACKET (EE) to the Junction BOX using the MOUNTING SCREWS (AA). (Figure 2)



Installation

ATTACH POWER SUPPLY WIRE

1. Connect the fixture ground wire (GREEN) to the ground supply wire using a wire nut (CC).
2. Connect the BLACK fixture wire to the BLACK (Line) supply wire using the wire nuts (CC).
3. Connect the WHITE fixture wire to the WHITE (Neutral) supply wire using the wire nuts (CC).
4. Carefully tuck all wiring back into the JUNCTION BOX, making sure there are no exposed un-insulated wires. (Figure 3)



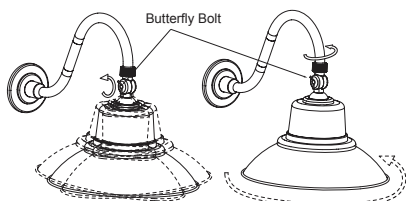
Installation

ATTACH WALL CANOPY

Place the WALL CANOPY over the JUNCTION BOX and onto the fixture's MOUNTING SCREWS (BB) and adjust the fixture MOUNTING SCREWS (BB) until they protrude out an appropriate height from the back of the WALL CANOPY to allow the SCREW CAPS (DD) to hold the WALL CANOPY tightly against the wall. Remove the WALL CANOPY and secure the position of the MOUNTING SCREWS (BB) against the MOUNTING BRACKET (EE). (Figure 3)

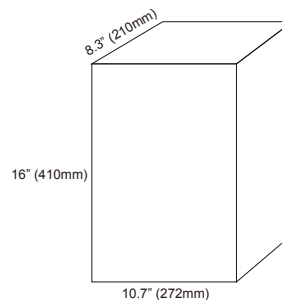
ADJUST FIXTURE ANGLE

Following the arrow illustration to rotate swivel and butterfly bolt to adjust fixture angle which you want.



Packaging

1pc/CTN G.W.:1.6 kgs Dimension: 10.7"L x 8.3"W x 16"H (272mm X 210mm X 410mm)



40'hq	2772 pcs
40'gp	2384 pcs
20'gp	1152 pcs