

Retrofit Kit Lay-in Troffer

Approvals



Certification

UL listed



Illumination solution

The main diffuser and slanted troffer help reduce glare and create a pleasant, uniform throw of the light in existing recessed troffer without the need to enter the ceiling space.

Dimming

With standard 0-10V dimming driver provided, Retrofit kit maintains higher percent of the light in a 120-degree beam angle to project light downward towards surfaces.

Simplicity

Ingenious structural design can reduce the difficulties of installation and maintenance. A sleek, contemporary appearance is designed to enhance office, healthcare, retail and education interiors.

Warranty: 5 years

Rated Life: 50,000hrs



Healthcare



Factory



Education



Office

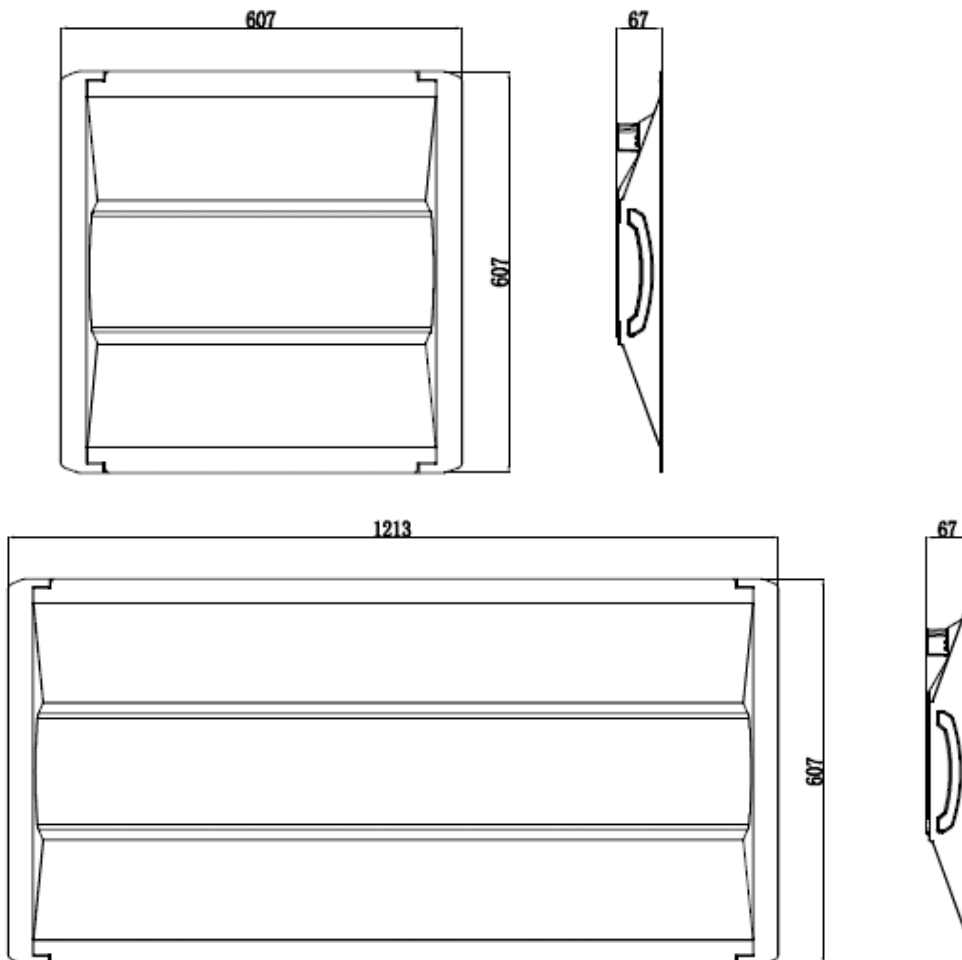


Retail

1. Features

- Topband Retrofit Kit LED Troffer is an ideal illumination solution to upgrade fluorescent troffer to LED, energy saving and without need to actually break the ceiling plenum.
- Compatible with both standard and narrow T-grids, they offer a simple retrofit that will improve the ceiling look.
- Both the 2`*2` and the 2`*4` retrofit kit troffer are manufactured with quality components and finishes, meaning a consistent, balanced lighting scheme.
- External isolated power supply takes heat sensitive components away from the heat source.
- When fluorescent fixtures can buzz and flicker and contribute to headache and eye fatigue, Retrofit kit is constructed with LM-80-rated LEDs and a smooth frosted PC diffuser, making it the silent and flicker-free solution for offices, factory, lobbies, hallways and conference rooms in schools, healthcare facilities, showrooms, factory, retailers and more.

2. Product Dimensions



Item	L(mm)	W(mm)	H(mm)
2*2FT	607+/-1.5	607+/-1.5	67+/-1.5
2*4FT	1213+/-1.5	607+/-1.5	67+/-1.5

3. Product Specification Electrical Characteristics

• **Humidity**

Operating 10%-80%

Storage 10%-80%

• **Temperature**

Operating -20~+40 °C

Storage -20~+40 °C

Input Voltage: AC100-277V 50/60Hz

PF :> 0.9, THD<20%, CRI>80

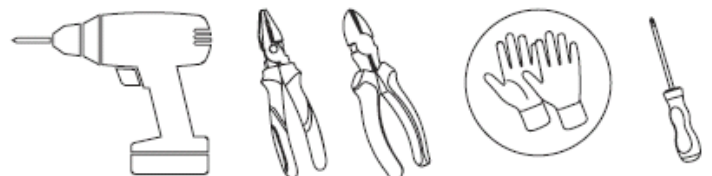
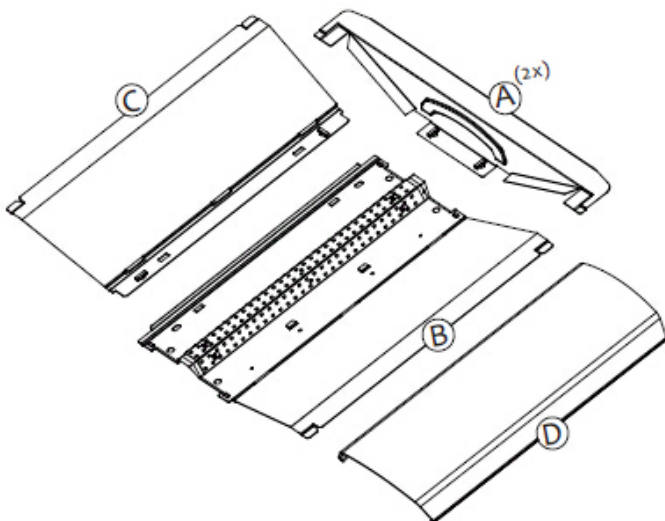
Power efficiency: 87%

Premium Efficacy - Retrofit Kit LED Troffer

Item	Wattage/ Size	LED Q'TY	CCT	Efficacy	Beam Angle	Cover	Dimmable
TPRKPD22DLB- 30WB(XXP)	30W 2*2FT	240pcs 2835LEDs	3500K	126LM/W	140°	Frosted	0-10V
			4000K	130LM/W			
			4500K	130 LM/W			
			5000K	130 LM/W			
TPRKPD22DLB- 40WB(XXP)	40W 2*2FT	288pcs 2835LEDs	3500K	125 LM/W	140°	Frosted	0-10V
			4000K	130 LM/W			
			4500K	130 LM/W			
			5000K	130 LM/W			
TPRKPD24DLB- 40WB(XXP)	40W 2*4FT	384pcs 2835LEDs	3500K	129 LM/W	140°	Frosted	0-10V
			4000K	130 LM/W			
			4500K	130 LM/W			
			5000K	130 LM/W			
TPRKPD24DLB- 50WB(XXP)	50W 2*4FT	420pcs 2835LEDs	3500K	130 LM/W	140°	Frosted	0-10V
			4000K	130 LM/W			
			4500K	130 LM/W			
			5000K	130 LM/W			

4. Installation Guide

4.1 Components and Tools required



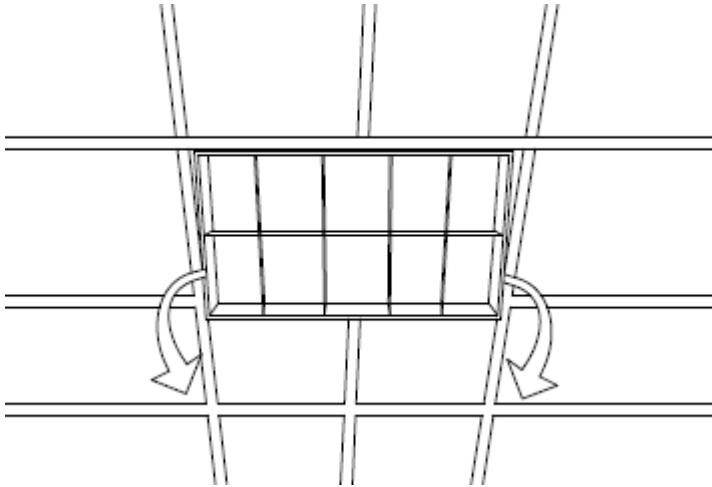
A. Side panel(*2)

B. LED panel(*1)

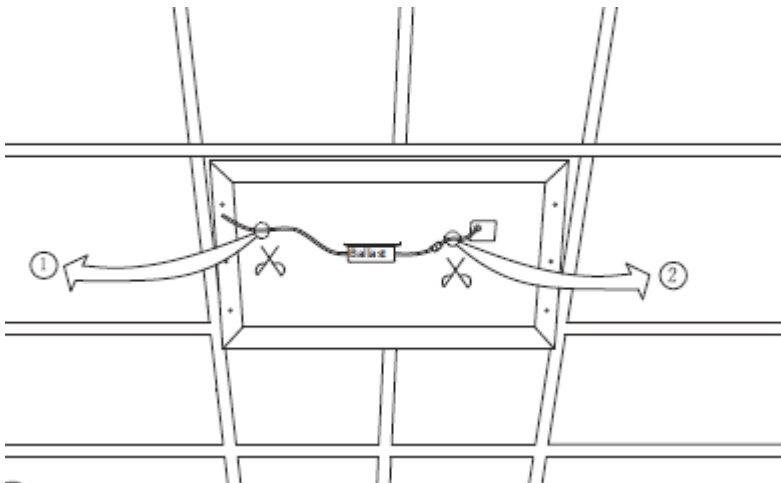
C. Closing panel(*1)

D. Diffuser(*1)

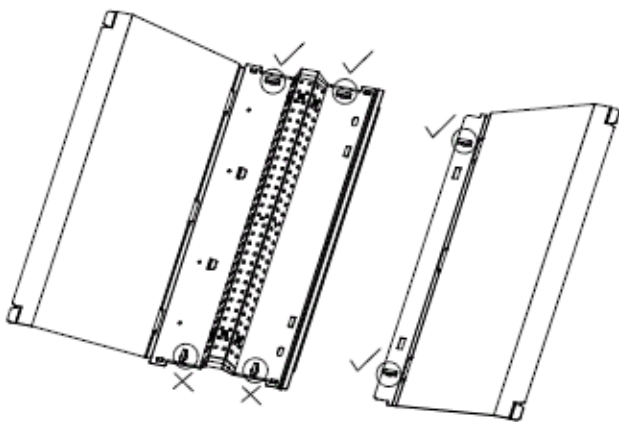
4.2 Installation steps



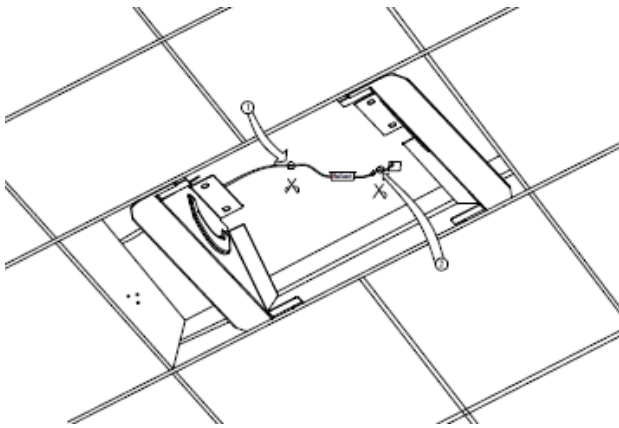
Step1. Turn power off and take out original cover and tubes.



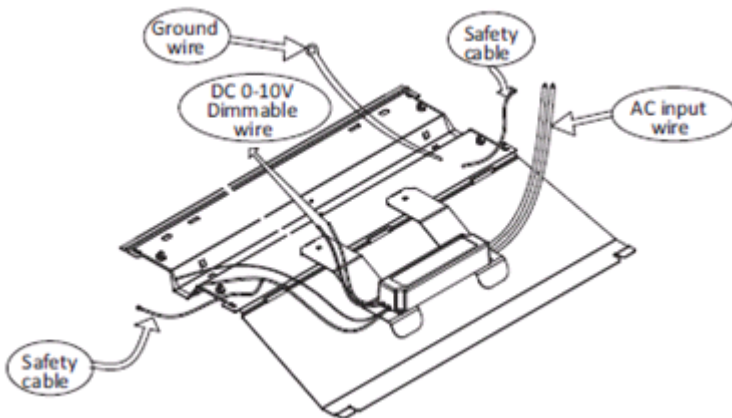
Step2. Remove all the parts such as lamp holder, starter etc. Cut off power wire as shown in ①. If the distance between ballast and ceiling surface is lesser than 3 inch, cut wire ② and remove ballast.



Step3. Fix the supplied fasteners (6 pcs in all) to LED panel (B) and closing panel (C) separately and pay attention to the directions.



Step4. Install side panel (A) in between troffer.

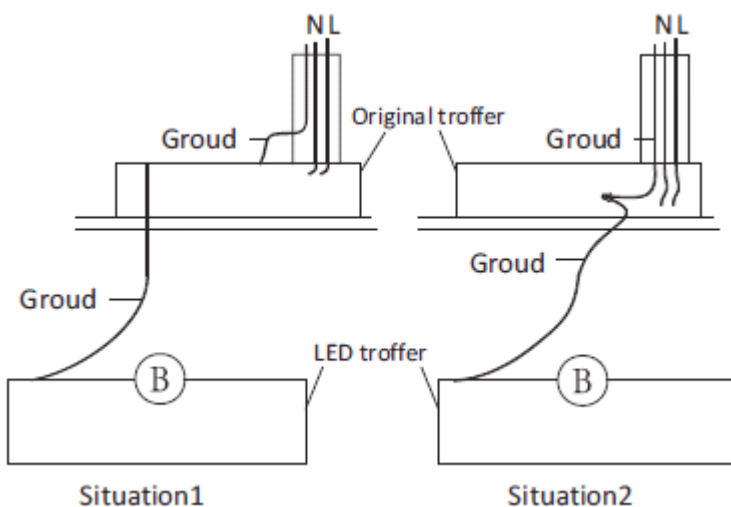


Step5. Connect LED panel (B)'s DC 0-10V dimmable wire, ground wire and AC input wire well. Drill two 4.2mm dim holes in the original bottom troffer by tools. Fixate the safety cable to the bottom troffer by screw.

* For the dimmable wire:

- 1) If there is unnecessary to dim, no need to connect dimmable wire and the connector can't be removed.
- 2) If there is necessary to dim, connect dimmable wire to Vdc and the dimmable wire should be rated 300V.

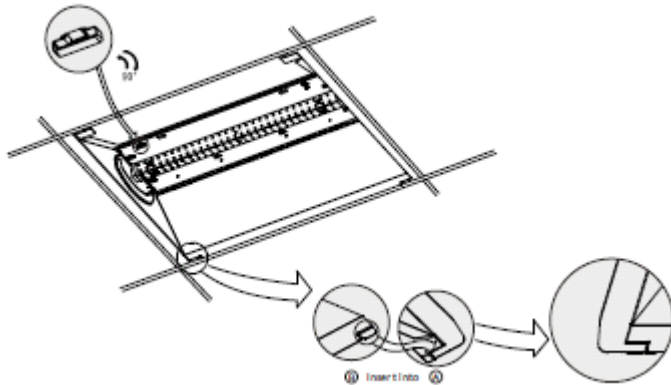
*AC input wire connect with part①or②based on situations.



Situation1: Screw grounding cable from LED panel (B) to original troffer if host fixture ground connection is made through host fixture.

Situation2: Connect to the incoming ground lead from conduit.

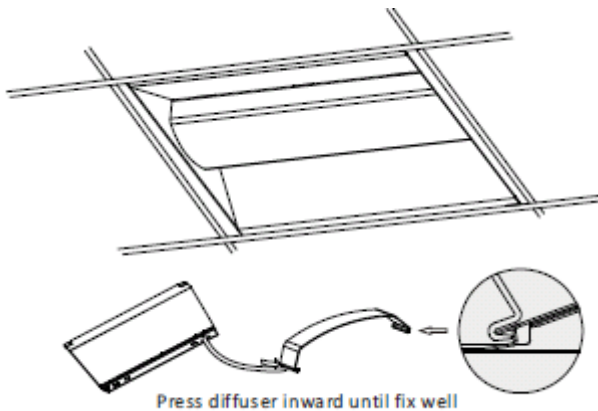
Turn fastener 90 degrees clockwise or anti-clockwise



Step6. Install LED panel (B) in between troffer, making sure the tabs at each corner of the LED panel slide into the respective slots on the side panel. Install closing panel (C) in between troffer. Fixate panels and establish ground by turning fastener 90 degrees.

Warning: RISK OF FIRE OR ELECTRIC SHOCK

While installing LED panel (B) and Closing panel (C), make sure the electrical wiring is not clamped between panels.



Step7. Press Diffuser (D) inward and make sure fix well. Turn power on. This retrofit kit is on. The installation is finished.

5. Package

Item	Net Weight	Gross Weight	Carton Dimensions
2FT*2FT	3.32 kg	4.56kg	650*486*90mm
2FT*4FT	5.72kg	7.50kg	1220*486*90mm

Notice: The Retrofit Kit LED Troffer is packaged in bulk.