



NAME: LED Corn Light

P/N: 13012101

Advantage

- UL certificate
- E26 lamp base
- Warm / Natural / Cool / Cold white
- 360 degree lighting, high CRI.
- IP64 Waterproof Rating
- Big heat sink
- Can be with clear or frosted cover.
- Internal driver, input voltage AC100-277V.
- New style and high efficient wide-range input.
- Long lifespan and good heat dissipation.
- Direct replacement for Metal Halide, Easy Installation.
- Fits many different fixtures to replace traditional lamps.



Application

Widely used in supermarket, warehouse, garage, home, office, hotel, hospital, school, street, garden etc.

TOSMART TECHNOLOGY CO LTD

Tel: 509-342-2802

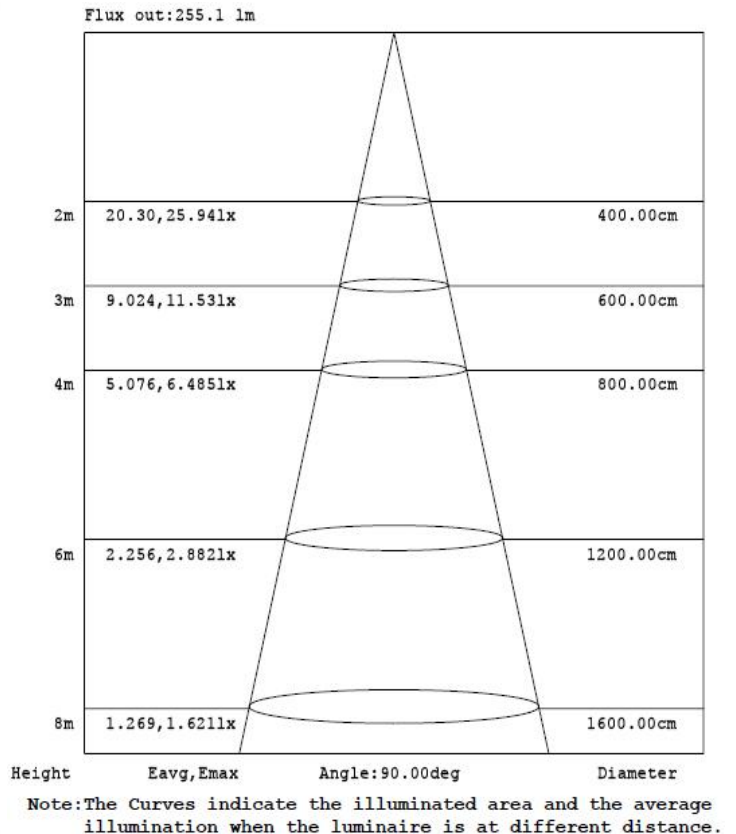
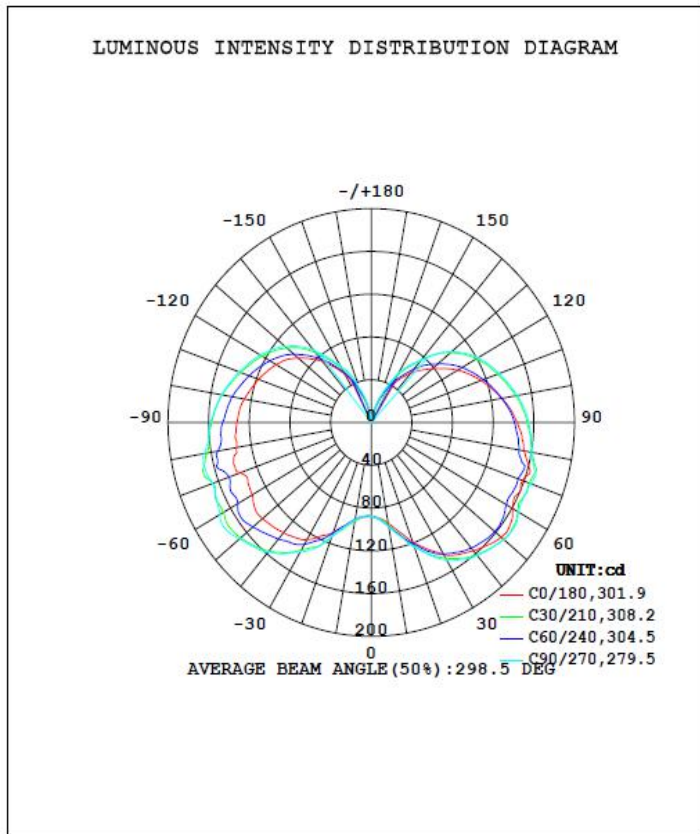
www.tosmart-tech.com

E-mail: simon@tosmart-tech.com

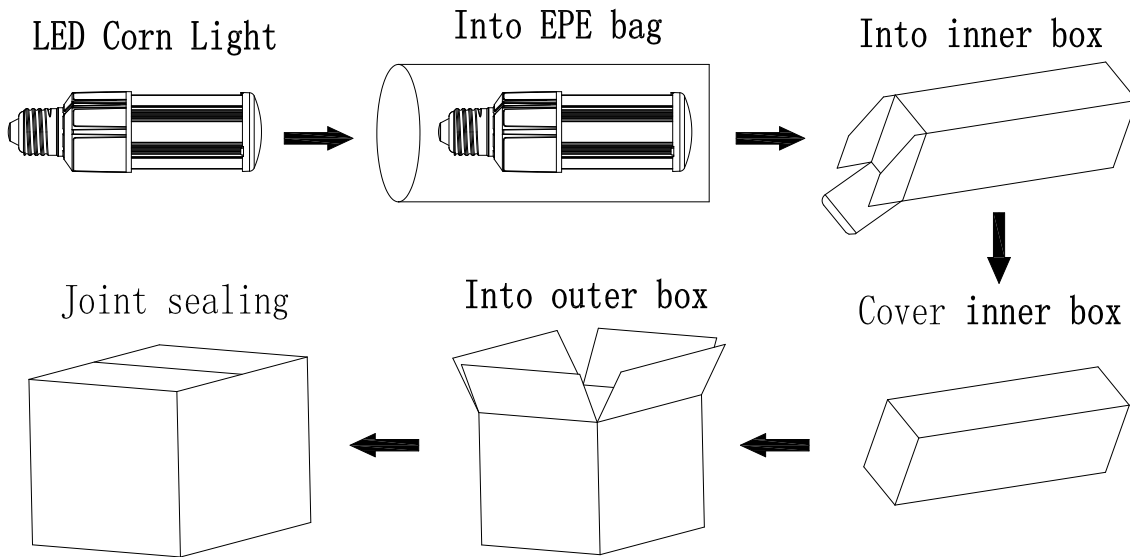
PRODUCT SPECIFICATIONS		
Product name	LED Corn Light	
Light Type	Corn Light	
Part No	13012101	
Dimension	Φ45*165 MM	
Technical Characteristic		
Cover	Clear	Frosted
Color temperature	2700-6500K	
CRI	> 80	
Lumen	1440-1560 LM	1200-1320 LM
Lumen Efficacy	120-130 LM/W	100-110 LM/W
Input Power	12 W	
Viewing Angle	360 degree	
Input Voltage	AC100-277V 50/60Hz	
PFC	>0.9	
Equivalent	23W CFL , 35W MHL/HPS/HID	
Waterproof Rating	IP64	
MATERIALS		
LED Brand	EPISTAR	
LED Type	SMD2835	
LED QTY	98 PCS	
Housing	PC+AL	
Housing color	White+Grey	
OTHERS		
Operating Temperature	-20°C TO 45°C	
Operating Humidity	20%-70% RH	
Storage Temperature	-30°C TO 80°C	
Storage Humidity	10%-75% RH	
Application	Indoor/Outdoor	
Safety Certification	UL	
Warranty Time	5 Years	

Remark: The testing data comes directly from the product test.

DATA OF LAMP		PHOTOMETRIC DATA Eff: 138.47 lm/W			
MODEL		I _{max} (cd)	187.8	S/MH (C0/180)	2.14
NOMINAL POWER (W)	12	LOR (%)	100.0	S/MH (C90/270)	2.43
RATED VOLTAGE (V)	120	TOTAL FLUX (lm)	1668.9	η UP, DN (C0-180)	20.0, 29.7
NOMINAL FLUX (lm)	1668.88	CIE CLASS	DIFFUSE	η UP, DN (C180-360)	20.9, 29.4
LAMPS INSIDE	1	η up (%)	40.9	CIBSE SHR NOM	2.00
TEST VOLTAGE (V)	120	η down (%)	59.1	CIBSE SHR MAX	0.00



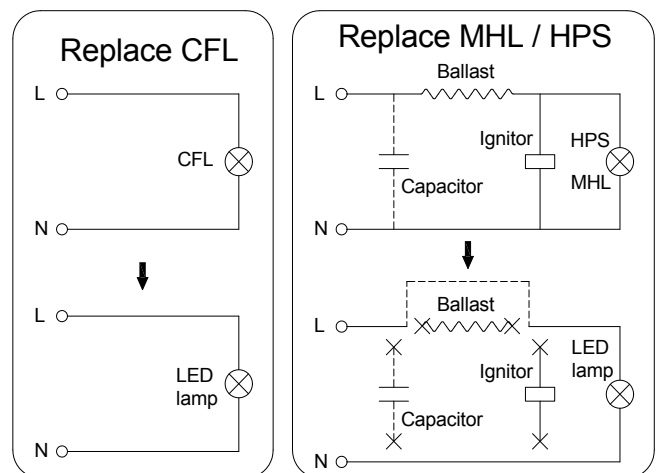
Package



	Size	Qty/ Carton	Net Weight/ Carton	Gross Weight/ Carton
Inner box	165*45*45 MM	1 PC	0.14 KG	0.16 KG
Outer box	345*240*245 MM	50 PCS	7.0 KG	8.8 KG

Notice For User

- Please turn off power before install or change assembly parts.
- The input voltage and lamps should be matched, after connecting the power line, please make sure the wiring section is insulated.
- Make sure to remove or bypass the electronic ballast in the fixtures before install the lamps.
- Suitable for damp locations. Do not use with dimmers.
- Suitable for use in enclosed luminaires, min. lamp compartment dimensions: 300*190*190MM.
- No-professionals, must not install and disassemble the lamps.



Trouble Shootings

Troubles	Check points
Flickering of the lamps	Turn off the power and turn on again in 3 minutes. If same phenomena occur, then call agencies
Out of working	Please check the connection