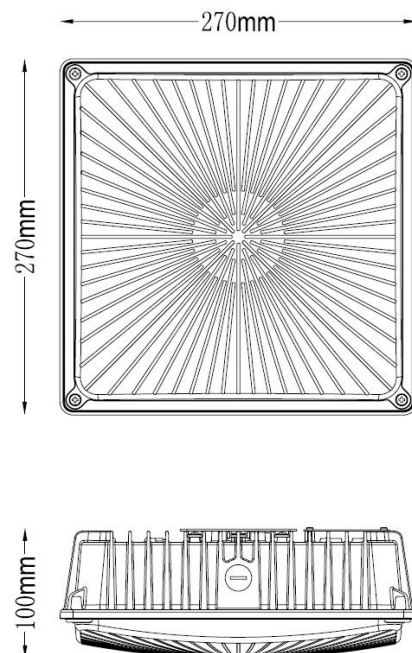


NAME: LED Parking Garage Light

P/N: 45100501

### Advantage

- UL DLC certificate
- Philips Lumileds Chip, High CRI
- IP65 Internal driver, Input voltage 100-277Vac
- No UV or IR in the beam
- Easy to install and operate
- Energy saving, Long lifespan
- Light is soft and uniform, Safe to eyes
- Instant start, NO flickering, NO humming
- Green and eco-friendly without mercury.



### Application

- ◆ Parking Garage

## Product Specifications

Product name	LED Parking Garage Light
Part No	45100501
Dimension	270 x 270 x 100 mm

## Technical Characteristic

Color temperature	4000K	5000K	5700K
CRI	>70		
Lumen	11000 - 11700LM		
Input Power	100W		
Viewing Angle	160°		
Input Voltage	100-277Vac 50/60Hz		
Driver model	China Brand Driver		
PFC	>0.9		
Waterproof Rating	WET (IP65)		

## Materials

LED Brand	PHILIPS LUMILEDS
LED Type	LUXEON 3030 2D (1.5W)
LED QTY	133 PCS
Housing	Aluminum
Housing color	White
Cover	Stripe lens

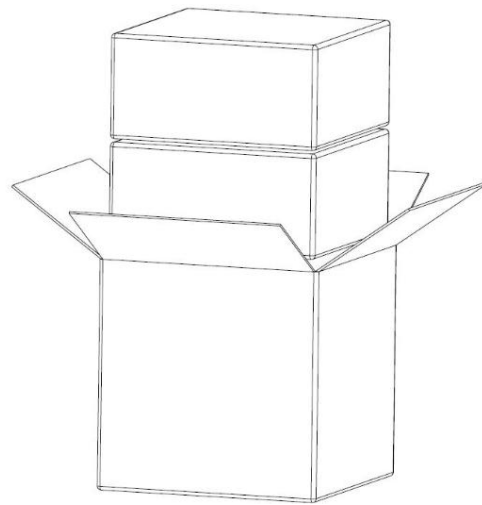
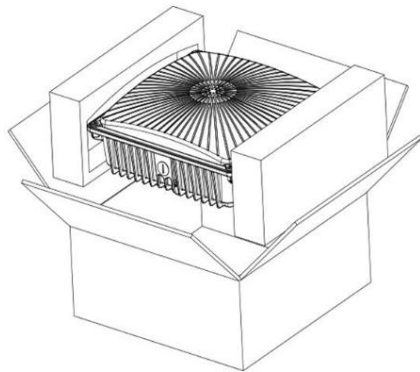
## Others

Operating Temperature	-20°C TO 45°C
Operating Humidity	20%-90% RH
Storage Temperature	-30°C TO 80°C
Storage Humidity	10%-95%
Application	Indoor / Outdoor
Safety Certification	UL, DLC
Warranty Time	5 Years

## Package

**Lamps Net Weight: 3.8 kg / pc**

	Size	Qty/Carton	Weight/Carton
Inner box	312 x 312 x 140 mm	1	4.6 kg
Outer box	325 x 305 x 335 mm	2	10.2 kg



## Notice For User

- ◆ Please turn off power before install or change assembly parts.
- ◆ The input voltage and lamps should be matched, after connecting the power line, Please make sure the wiring section is insulated.
- ◆ No-professionals, must not install and disassemble the lamps.

## Trouble Shootings

Troubles	Check points
Flickering of the light	Turn off the power and turn on again in 3 minutes. If same phenomena occur, then call agencies.
Out of working	Please check the connection.